



# User Instructions

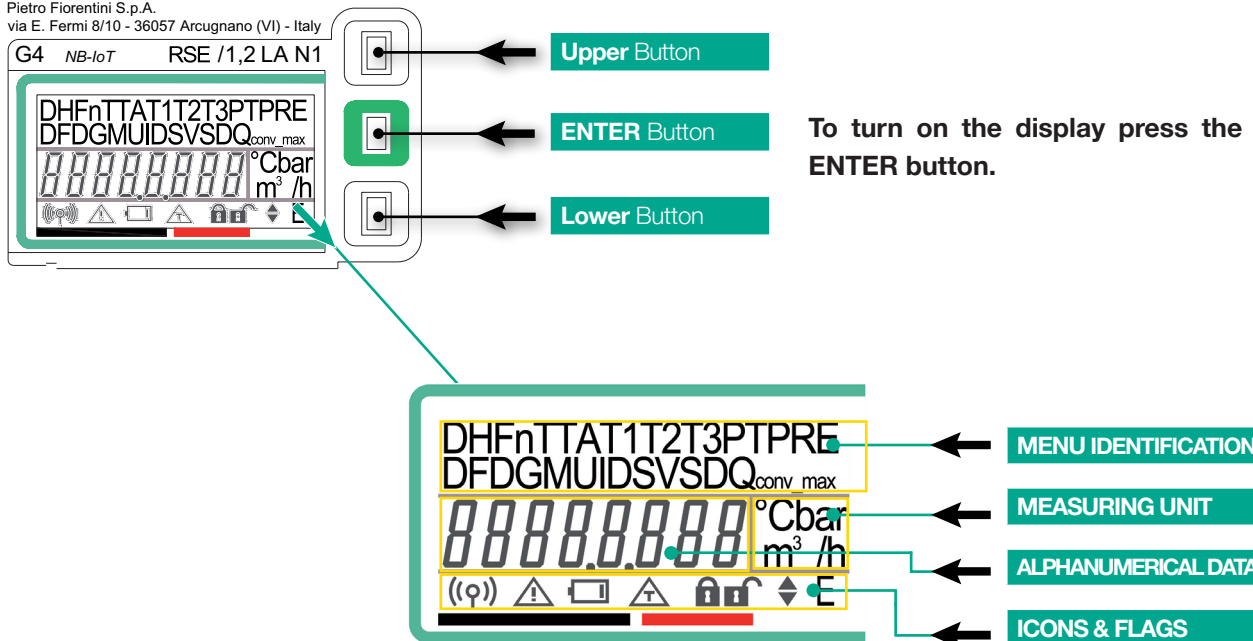
## Residential Smart Meters

Models: **RSE / 1,2 LA**  
**RSE / 2,4 LA**

This Handbook is an excerpt of the Gas Smart Meter User Manual and it is intended to provide information on how to access and how to interpret data shown on the meter display.

In normal conditions the **display is off** and no data is shown.

Pietro Fiorentini S.p.A.  
via E. Fermi 8/10 - 36057 Arcugnano (VI) - Italy

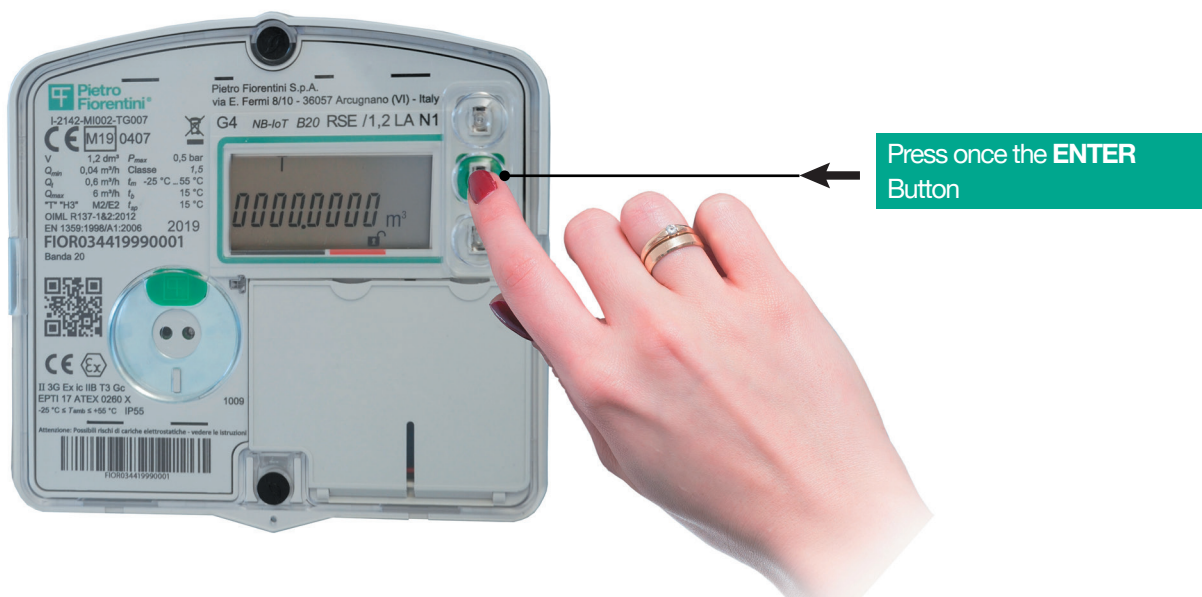


An all-segment lit-up test is performed for a couple of seconds upon display activation, then the Current Index of Converted Volume is shown in cubic meters [m<sup>3</sup>] with 5 units and 3 decimals.

Pressing the **Upper** or **Lower button** one can access other meter information as described in the following table.

After **2 minutes** of inactivity the display **goes back to sleep mode** and turns off.

Icon	Meaning
T *	Current Index of Converted Volume (at reference conditions)
TA	Current Index of Volume under Alarm
T1	Current Index of Converted Volume in Tariff Tier 1
T2	Current Index of Converted Volume in Tariff Tier 2
T3	Current Index of Converted Volume in Tariff Tier 3
PRE	End of the Previous Billing Period Indexes
DF	End of last Billing Period Date
DG	Diagnostic Word
MU	User Message
ID	Point of Delivery ID
SV	Valve State
Qconv_max	Max Conventional Flow Rate in the Current Billing Period
Qconv_max PRE	Max Conventional Flow Rate in the Previous Billing Period
PT	ID of the Current Billing Period
PT PRE	ID of the Previous Billing Period
SD	Device Configuration State
D	Date (DD-MM-YY)
H	Time (hh:mm:ss)
Fn	Active Tariff Tier



\* Example of the Display activation and visualization of the **Current Index of Converted Volume [m3] – Icon T**