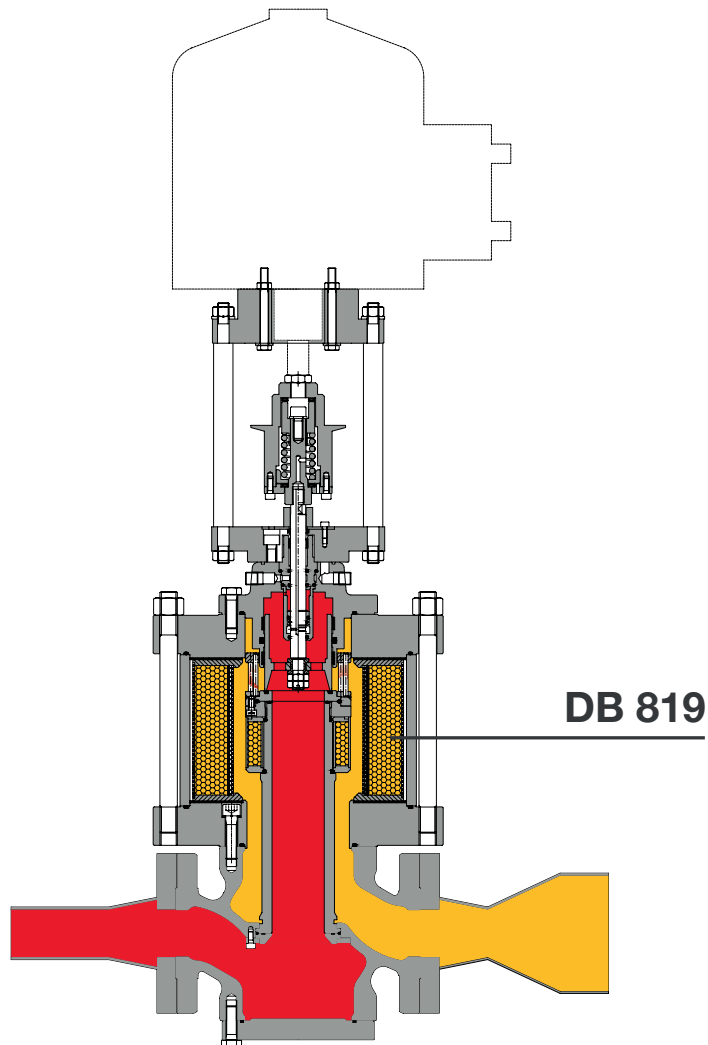
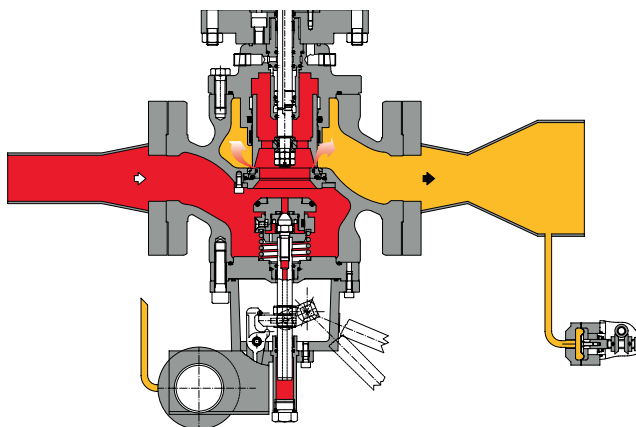


Sincroflux

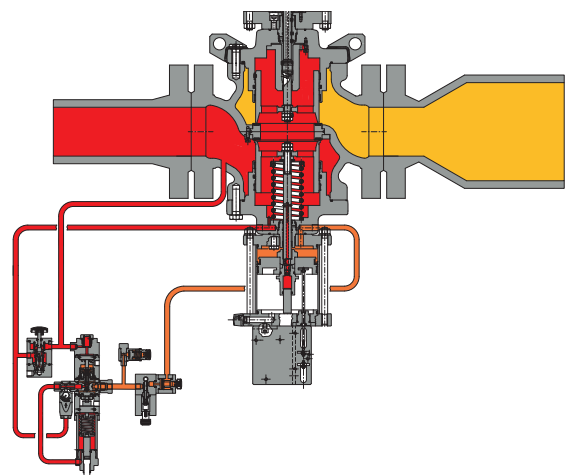
Valve



...+SB/82



...+HB/97



Inlet pressure



Outlet pressure



Motorisation